

CT9

900mm Gas Griddle Toaster



CT9

- 900mm wide
- 3 x 5.5kW burners
- Flame failure protection with continuous pilot burner and piezo ignition
- 12mm thick griddle plate
- 5-position toasting rack
- Full width grease trough and removable collection tray
- Open cabinet base for extra storage
- Adjustable front feet and rear rollers
- Stainless steel finish

OVERALL CONSTRUCTION

- 12mm machined surface mild steel griddle plate
- Vitreous enamelled control panel
- Three burners with individual pilot and flame failure
- Aluminised steel crumb tray
- Stainless steel exterior
- Chrome plated toasting rack and rack supports
- Three stainless steel grease trays
- 63mm dia. stainless steel adjustable legs to front and two rollers at rear

CONTROLS

- Large easy use control knobs
- Triple controls with variable high to low burner setting
- Flame failure pilot burners
- Piezo ignition to pilot burners

CLEANING AND SERVICING

- Removable grill rack system, rack supports and crumb tray
- Removable grease trays
- Easy clean stainless steel exterior
- Access to all parts from front of unit

Matching Products



CR9D



CR6C



CF2



C9C



C6D



C450



CP4



CS9 / C900-S



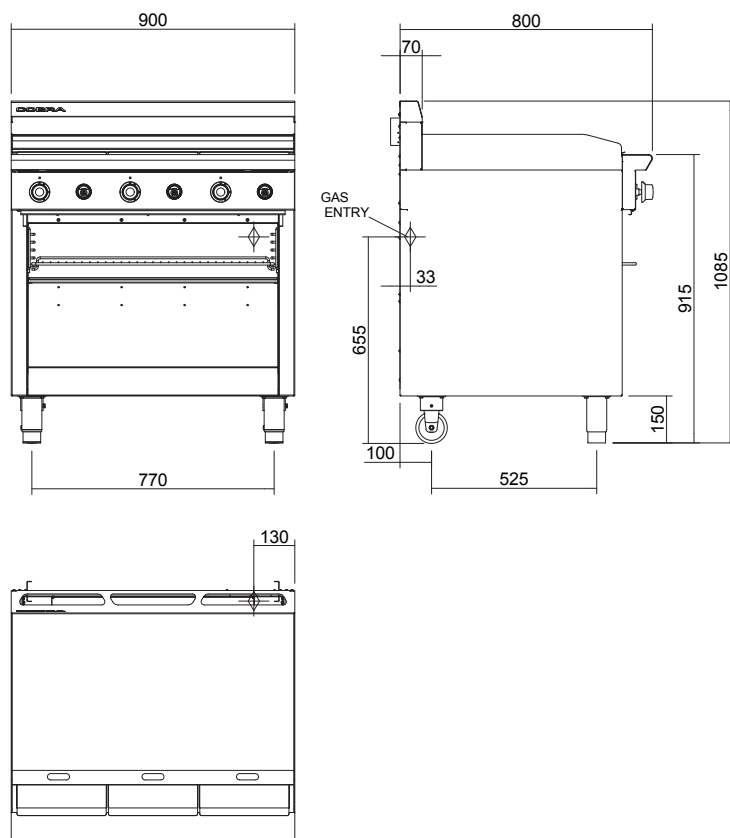
C6B



C300

CT9

900mm Gas Griddle Toaster



CT9

SPECIFICATIONS

Burners
3 x 5.5kW tubular
burners with grill radiants

Gas power
Natural gas
16.5kW (nett), 62,500 Btu/hr (gross)
Propane gas
16.5kW (nett), 61,200 Btu/hr (gross)

Gas flow rate
Natural gas 1.74m³/hr
Propane gas 1.27kg/hr

Cooking surface
890mm x 520mm, 4628cm²

Toaster dimensions
Rack size 770mm x 430mm
Rack positions 5

Gas connection
R 1/2 (BSP) male
130mm from RH side, 32mm from
rear, and 655mm from floor

Dimensions
Width 900mm
Depth 800mm
Height 915mm
Incl. splashback 1085mm

Nett weight
124kg

Packing data
1.21m³, 164.5kg
Width 1010mm
Depth 955mm
Height 1250mm

Gas types
Available in Natural gas and Propane gas,
please specify when ordering
Other gas types on request

blue-seal.co.uk

United Kingdom
blue-seal.co.uk

Blue Seal Limited
Unit 67
Gravelly Business Park
Gravelly
Birmingham B24 8TQ
England
Telephone 0121-327 5575
Facsimile 0121-327 9711
sales@blue-seal.co.uk

Australia
moffat.com.au
Moffat Pty Limited
740 Springvale Road
Mulgrave, Victoria 3170
Australia
Telephone +613-9518 3888
Facsimile +613-9518 3833
vsales@moffat.com.au

New Zealand
moffat.co.nz
Moffat Limited
Rolleston
45 Illinois Drive
Izone Business Hub
Rolleston 7675
Telephone +64 3-983 6600
Facsimile +64 3-983 6660
sales@moffat.co.nz



ISO9001
Quality
Management
Standard

Designed and manufactured by



ISO9001
All Cobra products are designed and
manufactured by Moffat using the
internationally recognised ISO9001
quality management system,
covering design, manufacture and
final inspection, ensuring consistent
high quality at all times.

In line with policy to continually
develop and improve its products,
Moffat Limited reserves the right
to change specifications and design
without notice.



© Copyright Moffat Ltd
UK.C.01.19 / 1622

an Ali Group Company



The Spirit of Excellence